



**DURO-LAST**<sup>®</sup>  
THE WORLD'S BEST ROOF.<sup>®</sup>



## Metal Roof & Wall Panels

Engineered for lasting performance. Designed for outstanding aesthetics.

# EXCEPTIONAL roofs require EXCEPTIONAL details.

Attention to detail means everything. At EXCEPTIONAL® Metals, we provide a full menu of metal roofing products that save time during installation, add striking visual details and provide a secure fit for unsurpassed protection, durability and efficiency.





## Proven Commitment to Quality.

As a division of Duro-Last®, Inc., the world's largest manufacturer of custom-fabricated single-ply roofing systems, EXCEPTIONAL Metals is backed by a proven commitment to quality products and extraordinary customer service. EXCEPTIONAL Metals offers metal roof and wall panel systems that are both aesthetically pleasing and structurally sound. With a robust network of certified contractors across the United States, EXCEPTIONAL Metals is always available to meet all of your metal roofing needs.

## Solutions that deliver performance.

In the pages that follow, you can learn more about the full menu of EXCEPTIONAL Metal's products and accessories. When it comes to metal roofing designs and challenges, EXCEPTIONAL Metals offers a wide range of unique products and accessories that balance performance and aesthetics.



## Contents

Standing Seam Metal Roof Systems	4-6
Concealed Fastening Roof and Wall Systems	7-11
Exposed Fastening Systems	12-15

# Standing Seam Metal Roof Systems

EXCEPTIONAL Metals offers vertical leg structural standing seam metal roof systems that blend the aesthetics of an architectural panel with the strength of a structural panel. These panels have earned multiple UL uplift ratings, which assure reliable performance. And, our roofing systems offer versatility to solve even the most complex design challenges.

We also offer trapezoidal standing seam roof profiles, which are designed for strength, durability and weatherability. These systems can be installed before or after the exterior walls are in place.

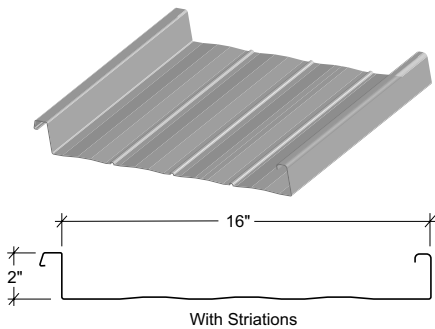


## Standing Seam Metal Roof System Colors

Please reference the Metal Roof and Wall Color Chart or the Metal Roof Color Chips for exact color verification and finish options.



## EM BattenLok® HS

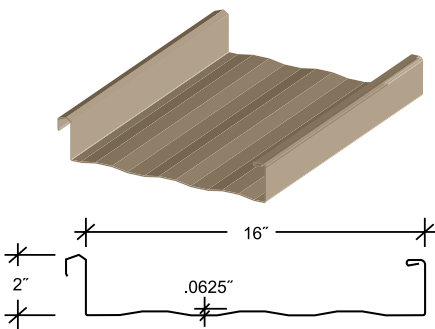


EM BattenLok® HS is a mechanically field-seamed, high-strength structural standing seam roof system that offers excellent functionality in a wide array of paint finishes. This system can be installed directly over purlins or bar joists, and is capable of transitioning from roof to fascia. EM BattenLok HS does not require a solid substructure for support.

### Features

- **Application:** Roof
- **Coverage Widths:** 12" and 16"
- **Minimum Slope:** ½:12
- **Panel Attachment:** Concealed Fastening System; Low, High (fixed or floating), Utility (no insulation clearance)
- **Gauge:** 24 (standard) and 22 (optional)
- **Finishes:** Smooth or Embossed, with Striations or Striations and Pencil Ribs (16" only)
- **Coatings:** Galvalume Plus®, Signature® 200, Signature® 300, Signature® 300 Metallic
- **UL 580 Approved**
- **EM BattenLok HS carries Florida approval rating**

## EM SuperLok®

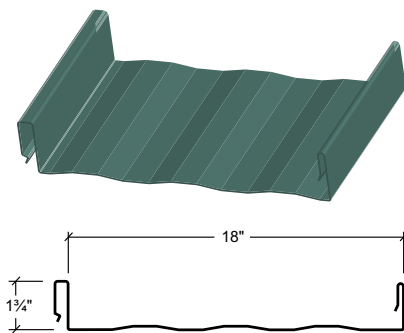


EM SuperLok® is a mechanically field-seamed, vertical leg standing seam roof system that is designed to withstand the most rigorous weather conditions. EM SuperLok can be installed directly over purlins or bar joists, and does not require a solid substructure for support.

### Features

- **Application:** Roof
- **Coverage Widths:** 12" and 16"
- **Minimum Slope:** ½:12
- **Panel Attachment:** Concealed Fastening System; Low, High (fixed or floating), Utility (no insulation clearance)
- **Gauge:** 24 (standard); 22, 26 (optional)
- **Finishes:** Smooth Striated (standard) and Embossed Striated (optional)
- **Coatings:** Galvalume Plus®, Signature® 200, Signature® 300, Signature® 300 Metallic
- **UL 580 Approved**
- **EM SuperLok carries FM, Florida Approval and Dade County Ratings**

## EM LokSeam®

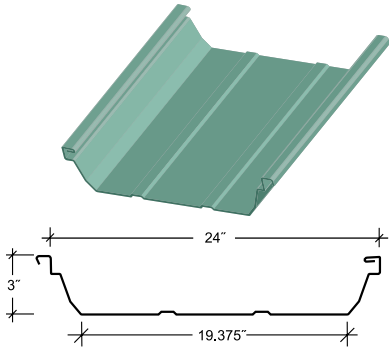


EM LokSeam® is a snap-together, standing seam roof system that is ideal for roofs with a minimum slope of 3:12. These panels can be installed over open framing or a solid substructure and are capable of transitioning from roof to fascia with the use of a rib cover. EM LokSeam does not require a solid substructure for support.

### Features

- **Application:** Roof
- **Coverage Widths:** 12", 16", 18"
- **Minimum Slope:** 3:12
- **Panel Attachment:** Concealed Fastening System, Standard and UL 90 Clips
- **Gauge:** 24 (standard); 22 (12", 16", 18"); 26 (12") (optional)
- **Finishes:** Smooth (standard) and Embossed Striated (optional)
- **Coatings:** Galvalume Plus®, Signature® 200, Signature® 300, Signature® 300 Metallic
- **UL 580 Approved**
- **EM LokSeam carries Florida Approval Rating**

# Standing Seam Metal Roof Systems

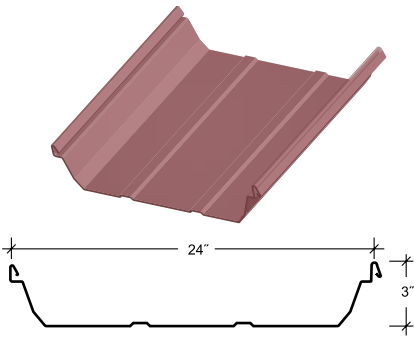


EM Double-Lok® is a mechanically field-seamed, trapezoidal-leg standing seam roof system that offers design flexibility for industrial, commercial and architectural applications. When used in retrofit applications, these panels increase energy efficiency and longevity of the structure. EM Double-Lok is UL 90 and FM rated with Miami Dade County approvals.

## Features

- **Application:** Roof
- **Coverage Widths:** 18", 24"
- **Minimum Slope:** ¼:12
- **Panel Attachment:** Concealed Fastening System; Low, High (sliding and a 2" stand-off clip)
- **Gauge:** 24 (standard); 22 (optional)
- **Finishes:** Smooth (standard) and Embossed (optional)
- **Coatings:** Galvalume Plus®, Signature® 200, Signature® 300, Signature® 300 Metallic
- **UL 580 Approved**
- **EM Double-Lok carries FM, Florida**

## EM Ultra-Dek®



EM Ultra-Dek® is a snap-together, trapezoidal-leg standing seam roof system that carries Air Leakage and Water Penetration testing approvals. EM Ultra-Dek requires a minimum slope of ¼:12, and is ideal for industrial, commercial and architectural applications. EM Ultra-Dek can be erected on various types of construction.

## Features

- **Application:** Roof
- **Coverage Widths:** 18", 24"
- **Minimum Slope:** ¼:12
- **Panel Attachment:** Concealed Fastening System; Low, High (fixed or floating)
- **Gauge:** 24 (standard); 22 (optional)
- **Finishes:** Smooth (standard) and Embossed (optional)
- **Coatings:** Galvalume Plus®, Signature® 200, Signature® 300, Signature® 300 Metallic
- **UL 580 Approved**
- **EM Ultra-Dek carries Florida Approval Rating**



# Concealed Fastening

## Concealed Fastening Roof Systems

### EM Craftsman™ Series Colors

Please reference the Metal Roof and Wall Color Chart or the Metal Roof Color Chips for exact color verification and finish options.



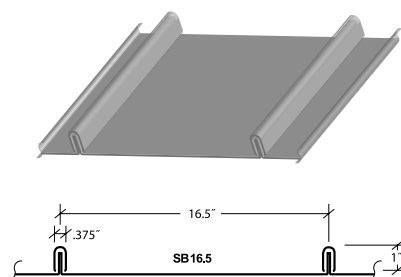
### EM Craftsman™ Series

The EM Craftsman™ Batten series is a snap-on batten roof system that offers excellent water-shedding performance. The EM Craftsman series is available in small batten (SB) and high batten (HB) products. The pan and batten are manufactured separately to maximize design flexibility and provide easier installation for difficult hip, valley, and slope changes without the need for flashing. This system can be used for roof and mansard only when installed over a water-proofed solid substructure with a minimum roof slope of 3:12. The EM Craftsman series uses a concealed clip that locks the batten to the panel while allowing for expansion and contraction.

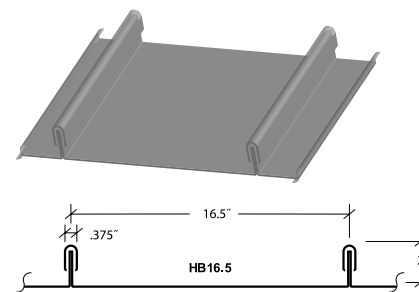
#### Features

- **Application:** Roof
- **Coverage Widths:** 12" and 16 1/2"
- **Minimum Slope:** 3:12
- **Panel Attachment:** Concealed Fastening System
- **Gauge:** 24 (standard); 26, 22 (optional)
- **Finishes:** Smooth (standard) and Embossed (optional)
- **Coatings:** Galvalume Plus®, Signature® 200, Signature® 300, Signature® 300 Metallic
- **UL 580 Approved**
- **EM Craftsman Small Batten carries Florida Approval and Dade County Ratings**

#### Small Batten



#### High Batten



# Concealed Fastening Roof and Wall Systems

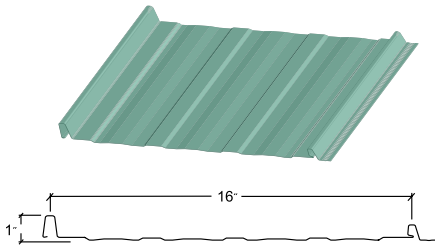
## Concealed Fastening Roof Systems (Continued)

### EM Slimline® Colors

Please reference the Metal Roof and Wall Color Chart or the Metal Roof Color Chips for exact color verification. The below colors are available in Signature® 200 finish.



### EM Slimline®



The EM Slimline® roof panel system offers a sleek contemporary profile that is ideal for residential applications.

#### Features

- **Application:** Roof
- **Coverage Width:** 16"
- **Minimum Slope:** 3:12
- **Panel Attachment:** Concealed Fastening System
- **Gauge:** 29 (standard) and 26 (optional)
- **Finishes:** Striations (standard) and Minor Rib Striations (optional)
- **Coatings:** Galvalume Plus® and Signature® 200
- **UL 580 Approved**

## Concealed Fastening Wall Systems

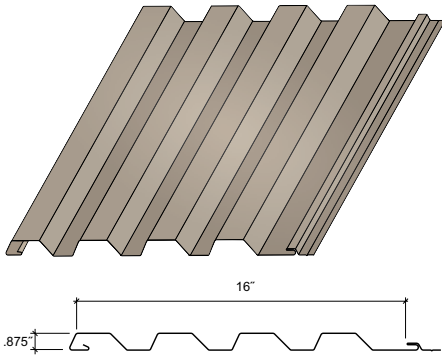
### Concealed Fastening Wall Systems Colors

Please reference the Metal Roof and Wall Color Chart or the Metal Roof Color Chips for exact color verification and finish options.





## EM MasterLine 16

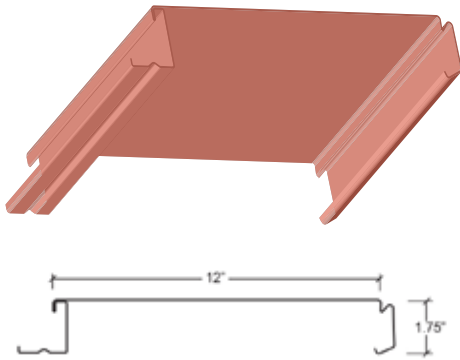


The EM MasterLine 16 is a concealed fastener metal wall panel that provides an interesting shadow line for enhanced aesthetics. This panel is primarily designed for horizontal applications, but it can also be installed vertically to give a distinguished architectural design. The panels are available with factory applied mastic in the side laps. Panels may be attached to metal studs, with or without sheathing, as well as to subgirts.

### Features

- **Application:** Wall
- **Coverage Width:** 16"
- **Panel Attachment:** Concealed Fastening System
- **Gauge:** 24 (standard); 22, 20, 18 (optional)
- **Finishes:** Smooth (standard) and Embossed (optional – 24 and 22 gauge only)
- **Coatings:** Galvalume Plus®, Signature® 200, Signature® 300, Signature® 300 Metallic

## EM Designer™ Series – Flat

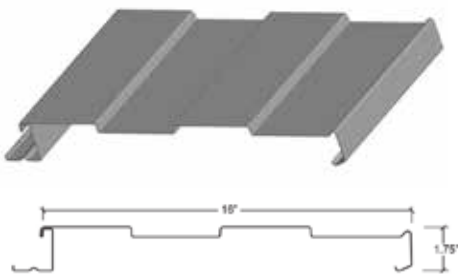


The EM Designer Series™ 12.0 Flat panel is an excellent choice for designs that require a smooth or flat wall or fascia in new construction or retrofitting applications. The EM Designer Series 12.0 Flat panel can be installed both vertically and horizontally, providing the toughness of metal while creating an attractive, flexible and functional wall or fascia panel. The EM Designer Series 12.0 Flat panel offers a 1¾-inch deep leg, providing the perfect cavity for rigid board insulation. The panel features concealed fastened systems enhancing the appearance. One leg of the panel is attached to the structure using a concealed clip and the other leg snaps securely into the adjoining panel to lock them into position.

### Features

- **Application:** Wall
- **Width:** 12"
- **Panel Attachment:** Concealed Fastening System
- **Gauge:** 24 (standard) and 22 (optional)
- **Finishes:** Smooth (standard) and Embossed (optional)
- **Coatings:** Galvalume Plus®, Signature® 200, Signature® 300, Signature® 300 Metallic

## EM Designer™ Series – Fluted



The EM Designer™ Series 16.0 Fluted panel offers a continuous rib design with a hidden sidelap where the panels join together, making it an attractive and effective option for new construction or retrofitting applications. Ribs are four inches wide and ¾ inch deep, providing interesting shadow lines along the length of the wall. The panel legs are 1¾-inch deep, allowing ample space for rigid board, blanket or batt insulation in the cavity. The panel features a concealed fastening system enhancing the appearance. One leg of the panel is attached to the structure using a concealed clip and the other leg snaps securely into the adjoining panel to lock them into position.

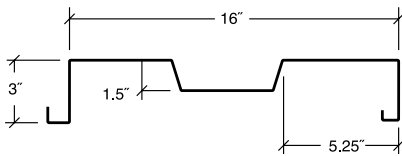
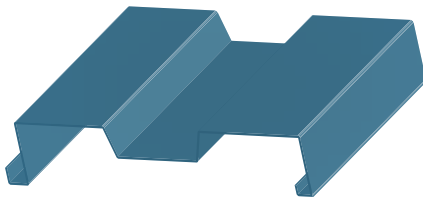
### Features

- **Application:** Wall
- **Width:** 16"
- **Panel Attachment:** Concealed Fastening System
- **Gauge:** 24 (standard) and 22 (optional)
- **Finishes:** Smooth (standard) and Embossed (optional)
- **Coatings:** Galvalume Plus®, Signature® 200, Signature® 300, Signature® 300 Metallic

# Concealed Fastening Roof and Wall Systems

## Concealed Fastening Wall Systems (Continued)

### EM ShadowRib™

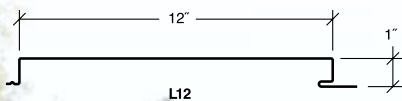
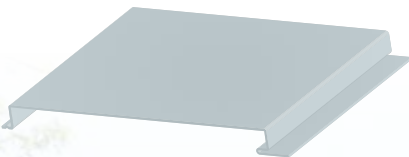


The EM ShadowRib™ is a 3-inch deep panel that combines aesthetics, economy and function to bring definition to metal structures. With multiple panel attachment and coating options, the EM ShadowRib is a versatile tool for designers. Structural strength in the EM ShadowRib panel is accomplished without sacrificing appearance or design flexibility. It can be applied over light-gauge framing, purlins, girts, structural steel and joists. The EM ShadowRib panel may be secured to the structure from the outside of the building with the EM ShadowRib concealed clip, or from inside the building with an expansion fastener. Both are positive fastened methods that create a secure interlock between panel and structure. The fluted face creates distinctive shadow lines.

#### Features

- **Application:** Wall
- **Width:** 16" Inside
- **Panel Attachments:** Inside Panel Attachment – Concealed Fastening System; Outside Panel Attachment – EM ShadowRib™ Panel Clip
- **Gauge:** 24 (standard) and 22 (optional)
- **Finishes:** Smooth (standard) and Embossed (optional)
- **Coatings:** Galvalume Plus®, Signature® 200, Signature® 300, Signature® 300 Metallic

### EM Artisan® Series



The EM Artisan® Series wall panels feature uniform dimensions for a clean appearance that allows designers to plan modules and follow wall curvatures while eliminating complicated pieces. These versatile panels can be installed to meet building lines — vertical, horizontal, perpendicular or skewed — making them ideal for soffits and interior liners. EM Artisan Series panels use the positive fastened method and are attached directly to the substructure, with the fastener concealed behind the flush face.

#### Features

- **Application:** Wall
- **Coverage Widths:** 8", 10", 12"
- **Panel Attachment:** Concealed Fastening System
- **Gauge:** 24 (standard); 26, 22 (optional)
- **Finishes:** Smooth (standard) and Embossed (optional)
- **Coatings:** Galvalume Plus®, Signature® 200, Signature® 300, Signature® 300 Metallic

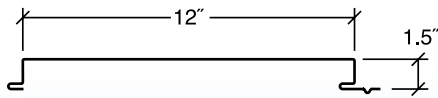
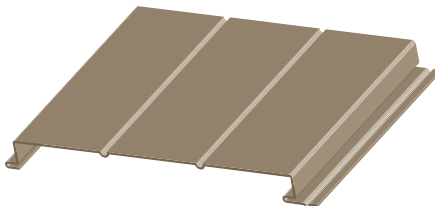


# EM FW-120 Colors

Please reference the Metal Roof and Wall Color Chart or the Metal Roof Color Chips for exact color verification.



## EM FW-120



FW-120-0

EM FW-120 is a heavy gauge wall system that is ideal for architectural, commercial and industrial buildings, providing large spanning capabilities, particularly in composite wall applications. EM FW-120 is available in three profiles: a flat profile, a profile with one bead and a profile with two beads. The EM FW-120 panel has been tested by a certified independent laboratory in accordance with ASTM test procedures for Air Infiltration and Water Penetration at the sidelap. Test results show no air leakage at 1.57PSF and no water penetration at 6.24PSF differential pressure.

### Features

- **Application:** Wall and Fascia
- **Coverage Width:** 12"
- **Panel Attachment:** Concealed Fastening System
- **Gauge:** 24 (standard); 22, 20 (optional)
- **Finishes:** Smooth (standard) and Embossed (optional)
- **Coating:** Signature® 300



# Exposed Fastening Systems

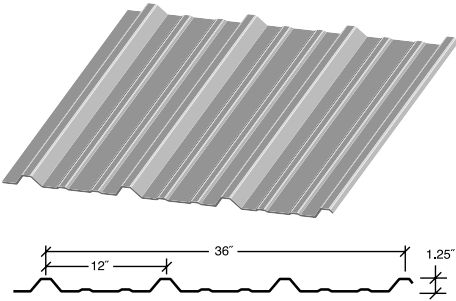


## Exposed Fastening Systems Colors

Please reference the Metal Roof and Wall Color Chart or the Metal Roof Color Chips for exact color verification and finish options.

					
Medium Bronze	Snow White	Slate Gray	Almond	Classic Green	Brownstone
					
Brite Red	Harbor Blue	Bone White	Burnished Slate	Rustic Red	Koko Brown
					
Charcoal Gray	Hawaiian Blue	Light Stone	Ash Gray	Solar White	Fern Green
					
Cobalt Blue	Crimson Red	Desert Sand	Saddle Tan	Polar White	

## EM PBR

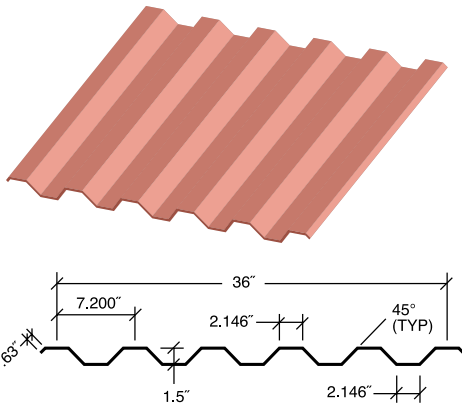


The EM PBR panel is a structural, exposed fastener panel that can be used for both roof and wall applications. This versatile panel system is used in a wide variety of architectural, agricultural, commercial and industrial applications.

### Features

- **Application:** Roof and Wall
- **Coverage Width:** 36"
- **Minimum Slope:** 1/2:12
- **Panel Attachment:** Exposed Fastening System
- **Gauge:** 26 (standard); 29, 24, 22 (optional)
- **Finishes:** Smooth (standard) and Embossed (optional)
- **Coatings:** Galvalume Plus®, Signature® 200, Signature® 300
- **Rib Spacing:** 12" on center
- **Rib Height:** 1 1/4"
- **UL 580 Approved**
- EM PBR carries Florida Approval, Dade County Ratings and FM 4471 Approval Standard for Class A Panel Roofs

## EM 7.2 Panel

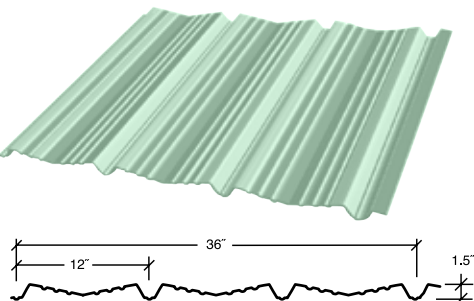


The EM 7.2 panel is a versatile exposed fastener panel system that is ideal for commercial or industrial applications. The EM 7.2 Panel has a symmetrical rib that provides excellent spanning and cantilever capabilities, making it an excellent choice for carports and walkway canopies.

### Features

- **Application:** Roof and Wall
- **Coverage Width:** 36"
- **Minimum Slope:** 1/2:12
- **Panel Attachment:** Exposed Fastening System
- **Gauge:** 24 (standard); 29, 26, 22 (optional)
- **Finishes:** Smooth (standard) and Embossed (optional)
- **Coatings:** Galvalume Plus®, Signature® 200, Signature® 300, Signature® 300 Metallic
- **Rib Spacing:** 7.2" on center
- **Rib Height:** 1 1/2"
- **UL 580 Approved**
- EM 7.2 Panel carries Florida Approval

## EM AVP Panel



The EM AVP wall panel features pencil ribs for improved aesthetics and greater design flexibility. The panel also allows more insulation to be added behind the panel for greater insulating value to meet energy codes and R-Value requirements.

### Features

- **Application:** Wall
- **Coverage Width:** 36"
- **Panel Attachment:** Exposed Fastening System
- **Gauge:** 26 (standard); 22, 29 (optional)
- **Finishes:** Smooth (standard) and Embossed (optional)
- **Coatings:** Galvalume Plus®, Signature® 200, Signature® 300
- **Rib Spacing:** 12" on center
- **Rib Height:** 1 1/8"

# Exposed Fastening Systems

## EM 5V Crimp Colors

Please reference the Metal Roof and Wall Color Chart or the Metal Roof Color Chips for exact color verification. The below colors are available in Signature® 200 finish.

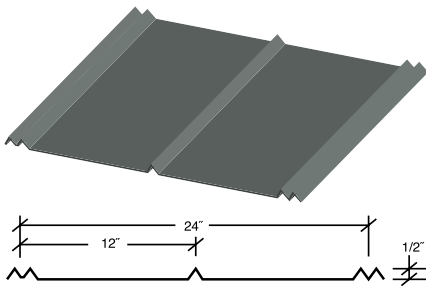


Fern Green



Polar White

## EM 5V Crimp



The EM 5V Crimp roof panel offers a traditional appearance that is ideal for residential or light commercial applications. These panels require a solid roof deck with a waterproof membrane.

### Features

- Application: Roof
- Coverage Width: 24"
- Minimum Slope: 3:12
- Panel Attachment: Exposed Fastening System
- Gauge: 29 (standard) and 26 (optional)
- Finish: Smooth (standard)
- Coatings: Galvalume Plus® and Signature® 200
- Rib Spacing: 12" on center
- Rib Height: 1/2"
- UL 580 Approved
- EM 5V Crimp carries Florida and Dade County Approvals

## EM Retro-R® Panel Colors

Please reference the Metal Roof and Wall Color Chart or the Metal Roof Color Chips for exact color verification. The below colors are available in Signature® 200 finish.



Burnished Slate



Rustic Red



Koko Brown



Cobalt Blue



Crimson Red



Charcoal Gray



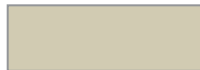
Hawaiian Blue



Saddle Tan



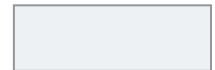
Desert Sand



Light Stone



Ash Gray

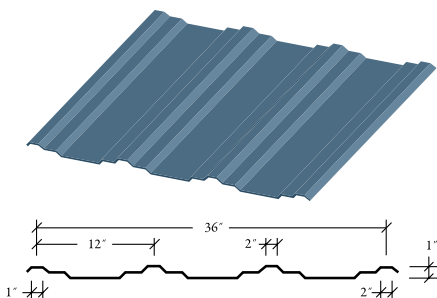


Solar White



Polar White

## EM Retro-R® Panel



EM Retro-R® Panel is an exposed fastening system that is an excellent choice for retrofit construction. This panel can be applied directly over an existing PBR or R Panel roof to provide a new look and longer life.

### Features

- Application: Roof and Wall
- Coverage Width: 36"
- Minimum Slope: 1/2:12
- Panel Attachment: Exposed Fastening System
- Gauge: 29 (standard)
- Finish: Smooth (standard)
- Coatings: Galvalume Plus® and Signature® 200
- Rib Spacing: 12" on center
- Rib Height: 1 1/16"
- EM Retro-R carries Florida Approval

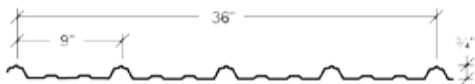


## EM Stormproof® Panel Colors

Please reference the Metal Roof and Wall Color Chart or the Metal Roof Color Chips for exact color verification. The below colors are available in Signature® 200 finish.



## EM Stormproof® Panel



The EM Stormproof® roof panel system is an exposed fastened offering that can be used for both roof and wall applications. The coverage width of EM Stormproof® is 36 inches. EM Stormproof® is ideal for agricultural, light commercial, residential and storage buildings. It also works well for canopies.

### Features

- Applications: Roof and Wall
- Coverage Width: 36"
- Minimum Slope: 3:12
- Panel Attachment: Exposed Fastening System
- Gauge: 29 (standard) and 26 (optional)
- Finishes: Smooth (standard) and Embossed (optional)
- Coatings: Galvalume Plus®, Signature® 200
- UL 580 Approved
- EM Stormproof carries Florida Approval



**DURO-LAST**  
THE WORLD'S BEST ROOF®

**EXCEPTIONAL® Metals,**  
a division of Duro-Last®, Inc.

525 Morley Dr.  
Saginaw, MI 48601

800-248-0280

[www.exceptionalmetals.com](http://www.exceptionalmetals.com)

"Duro-Last" and "EXCEPTIONAL" Metals are registered trademarks owned by Duro-Last, Inc.  
"MBCI," "LokSeam," "SuperLok," "BattenLok," "Artisan," "Ultra-Dek," "Stormproof,"  
"Slimline," "Retro-R," and "Signature,"  
are registered trademarks owned by NCI Group Inc.  
"Galvalume Plus" is a registered trademark owned by BIEC International Inc.  
Metal Roofing & Wall Panel Booklet ORIG: 3.7.16 REV: 6.2.17 - DL090015

